

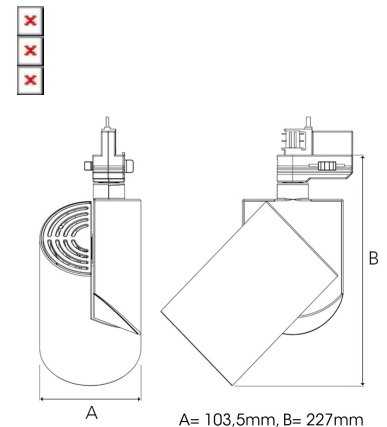
ZYLINDER 4000, 930 (BBBL), SPOT W/ GLASS, BLACK



- ✓ Pure and minimalistic/clean design
- ✓ Four different beam angles for the light distribution
- ✓ Incorporated electronic control gear
- ✓ Highly efficient 'chip on board' LED light source
- ✓ Available in white, black and grey

TECHNICAL SPECIFICATION

Product Code	288-510-20
Colour	Black
Control	On/off
CRI light colour	930 (BBBL)
Delivered lumen output lm	3766
Driver	Built in
EEL	E
Light distribution	Spot
Lightsource	LED COB
Mains input voltage	220-240 V
Measurements A	103,5
Measurements B	227
Mounting	Track
Position	360°/90°
Lifetime	L80 B10, 50.000h
Protection	IP 20, class I
Start Time	Instant
System power W	30,1
Unit	mm
Weight	0,91



Spot		Medium		Flood		Wide Flood	
	14°		27°		38°		56°
m	ø	m	ø	m	ø	m	ø
1.0	0.25	1.0	0.48	1.0	0.69	1.0	1.07
2.0	0.49	2.0	0.95	2.0	1.39	2.0	2.14
3.0	0.74	3.0	1.43	3.0	2.08	3.0	3.22