

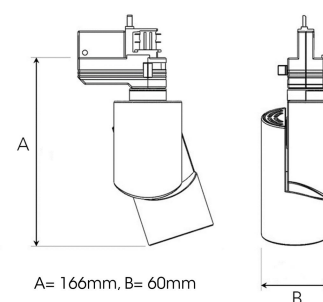
ZYLINDER MICRO 1200, 930 (BBBL), SPOT, GREY



- ✓ Pure and minimalistic/clean design in a small size
- ✓ Four different beam angles for the light distribution
- ✓ Incorporated electronic control gear
- ✓ Highly efficient 'chip on board' LED light source
- ✓ Available in white, black and grey

TECHNICAL SPECIFICATION

Product Code	305-500-30
Colour	Grey
Control	On/off
CRI light colour	930 (BBBL)
Delivered lumen output lm	1150
Driver	Built in
EEL	E
Light distribution	Spot
Lightsource	LED COB
Mains input voltage	220-240 V
Measurements A	166
Measurements B	60
Mounting	Track
Position	360°/90°
Lifetime	L80 B10, 50.000h
Protection	IP 20, class I
Start Time	Instant
System power W	15
Unit	mm
Weight	0.4



Spot	Medium	Flood	Wide Flood
15°	27°	36°	56°
m	m	m	m
ø	ø	ø	ø
1.0 0.26	1.0 0.47	1.0 0.65	1.0 1.06
2.0 0.53	2.0 0.95	2.0 1.30	2.0 2.12
3.0 0.79	3.0 1.42	3.0 1.95	3.0 3.18