

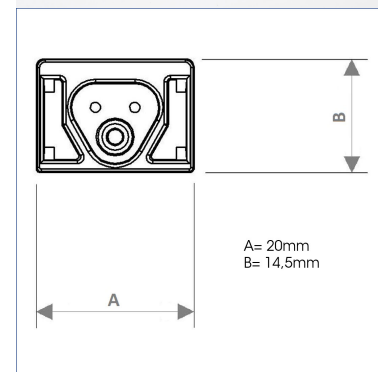
VECTOR HD, 1125MM, 3000K

ITAB

✓ Available in different lengths and lumen outputs

TECHNICAL SPECIFICATION

| | |
|---------------------------|-------------------------|
| Product Code | 231-105-001 |
| Colour | Brushed Stainless steel |
| Control | On/off |
| CRI light colour | 835 |
| Delivered lumen output lm | 710 |
| Driver | Stand alone, Separate |
| EEL | A |
| Light distribution | Flood |
| Lightsource | LED |
| Mains input voltage | 220-240V |
| Measurements A | 20 |
| Measurements B | 14.4 |
| Measurements C | 1125 |
| Mounting | Universal |
| Position | Universal |
| Lifetime | L80 B10 50.000h |
| Protection | IP 20, class III |
| Sawing instructions unit | mm |
| Start Time | Instant |
| System power W | 60 |
| Unit | mm |
| Weight | 0,41/m |



| Flood | |
|-------|----------|
| | 88°/111° |
| m | ø |
| 1.0 | 2.89 |
| 2.0 | 5.78 |
| 3.0 | 8.67 |