

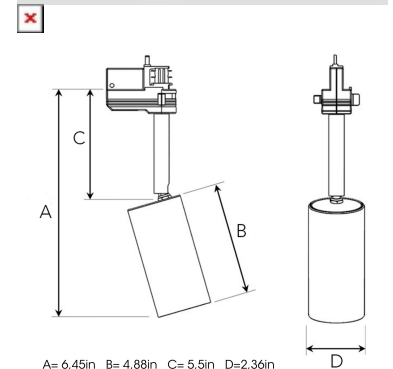
JET MICRO NA 1200, 930 (BBBL), SPOT, J 1 ADAPTER, BLACK



- ✓ Product is title 24 compatible
- ✓ Delivered standard with Nordic Light 1 circuit adapter. Alternatively available with J or L TC adapters and NL 3 C adapter.
- ✓ Four different beam angles for the light distribution
- ✓ Highly efficient chip on board LED light source
- ✓ Available in white, black and grey

TECHNICAL SPECIFICATION

Product Code	310-75001-20
Colour	Black
Control	Phase dim
CRI light colour	930 (BBBL)
Delivered lumen output lm	1150
Driver	Built in
Light distribution	Spot
Lightsource	LED COB
Mains input voltage	120V
Measurements A	6,45
Measurements B	4,88
Measurements C	5,5
Measurements D	2,36
Mounting	Track
Position	360°/90°
Lifetime	L80 B10, 50.000h
Protection	For indoor use only
Start Time	Instant
System power W	13,5
Unit	inch



Spot	Medium	Flood	Wide Flood
15°	27°	36°	56°
m	m	m	m
ø	ø	ø	ø
1.0 0.26	1.0 0.47	1.0 0.65	1.0 1.06
2.0 0.53	2.0 0.95	2.0 1.30	2.0 2.12
3.0 0.79	3.0 1.42	3.0 1.95	3.0 3.18