

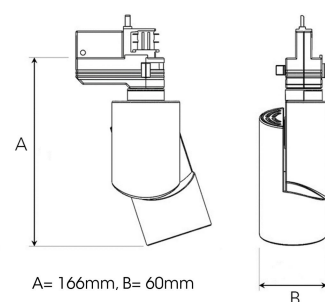
ZYLINDER MICRO 1200, 930 (BBBL), SPOT W/ GLASS, WHITE

ITAB

- ✓ Ren och minimalistisk design
- ✓ Tre spridningsvinklar för god ljusfördelning
- ✓ Inbyggd elektronisk driver
- ✓ Högeffektiv "chip on board" teknik med LED-ljuskälla
- ✓ Finns i vitt, svart och grått

TECHNICAL SPECIFICATION

Product Code	305-500-10
Colour	White
Control	On/off
CRI light colour	930 (BBBL)
Delivered lumen output lm	1150
Driver	Built in
EEL	E
Light distribution	Spot
Lightsource	LED COB
Mains input voltage	220-240 V
Measurements A	166
Measurements B	60
Mounting	Track
Position	360°/90°
Lifetime	L80 B10, 50.000h
Protection	IP 20, class I
Start Time	Instant
System power W	15
Unit	mm
Weight	0.4



Spot	Medium	Flood	Wide Flood
15°	27°	36°	56°
m	m	m	m
1.0	1.0	1.0	1.0
2.0	2.0	2.0	2.0
3.0	3.0	3.0	3.0
0.26	0.47	0.65	1.06
0.53	0.95	1.30	2.12
0.79	1.42	1.95	3.18

ITAB Lighting
Europe, Asia, Middle East
Phone: +46 910 733 790
info@nordiclight.se

ITAB Lighting
North America
Phone: +1 614 421 8419
na@nordiclight.se

Please note that this product sheet is for a specific product and colour. The pictures may show examples of other available colours