

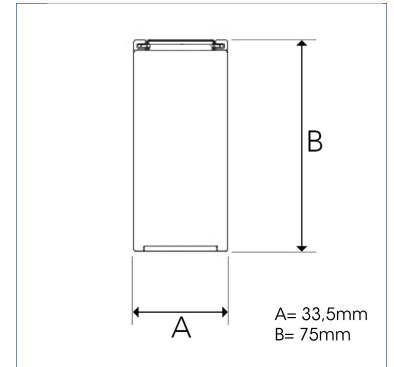
LINK 934MM, 830, BLACK

ITAB

- ✓ Schlankes und ästhetisches Design
- ✓ Erhältlich in verschiedenen Längen
- ✓ Hänge- oder Aufbaumontage oder Montage auf Stromschiene

TECHNICAL SPECIFICATION

| | |
|---------------------------|------------------|
| Product Code | 307-535-20 |
| Colour | Black |
| Control | On/off |
| CRI light colour | 830 |
| Delivered lumen output lm | 1800 |
| Driver | Built in |
| EEL | A+ |
| Light distribution | Flood |
| Lightsource | LED Linear |
| Mains input voltage | 220-240 V |
| Measurements A | 33,5 |
| Measurements B | 75 |
| Mounting | Linear |
| Position | Fixed |
| Lifetime | L80 B10, 50.000h |
| Protection | IP 20, class I |
| Start Time | Instant |
| System power W | 16,3 |
| Unit | mm |
| Weight | 1,2 |



| Link | 98°/85° |
|------|---------|
| m | ø |
| 1.0 | 2.32 |
| 2.0 | 4.63 |
| 3.0 | 6.95 |