

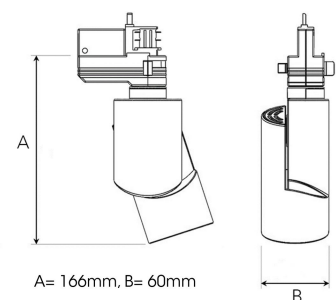
# ZYLINDER MICRO 1200, 930 (BBBL), WIDE FLOOD, GREY

ITAB

- ✓ Design épuré et minimaliste dans un petit format
- ✓ Trois angles de diffusion différents pour la répartition de la lumière
- ✓ Système de commande électronique intégré
- ✓ Technologie LED « chip on board » extrêmement efficace
- ✓ Disponible en blanc, noir et gris

## TECHNICAL SPECIFICATION

|                           |                  |
|---------------------------|------------------|
| Product Code              | 305-503-30       |
| Colour                    | Grey             |
| Control                   | On/off           |
| CRI light colour          | 930 (BBBL)       |
| Delivered lumen output lm | 1150             |
| Driver                    | Built in         |
| EEL                       | E                |
| Light distribution        | Wide flood       |
| Lightsource               | LED COB          |
| Mains input voltage       | 220-240 V        |
| Measurements A            | 166              |
| Measurements B            | 60               |
| Mounting                  | Track            |
| Position                  | 360°/90°         |
| Lifetime                  | L80 B10, 50.000h |
| Protection                | IP 20, class I   |
| Start Time                | Instant          |
| System power W            | 15               |
| Unit                      | mm               |
| Weight                    | 0.4              |



| Spot | Medium | Flood | Wide Flood |
|------|--------|-------|------------|
| 15°  | 27°    | 36°   | 56°        |
| m    | o      | m     | o          |
| 1.0  | 0.26   | 1.0   | 0.47       |
| 2.0  | 0.53   | 2.0   | 0.95       |
| 3.0  | 0.79   | 3.0   | 1.42       |
|      |        | 1.0   | 0.65       |
|      |        | 2.0   | 1.30       |
|      |        | 3.0   | 1.95       |
|      |        | 1.0   | 1.06       |
|      |        | 2.0   | 2.12       |
|      |        | 3.0   | 3.18       |