

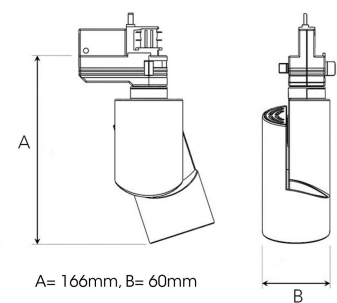
# ZYLINDER MICRO 1200, 930 (BBBL), FLOOD, WHITE

ITAB

- ✓ Design épuré et minimaliste dans un petit format
- ✓ Trois angles de diffusion différents pour la répartition de la lumière
- ✓ Système de commande électronique intégré
- ✓ Technologie LED « chip on board » extrêmement efficace
- ✓ Disponible en blanc, noir et gris

## TECHNICAL SPECIFICATION

Product Code	305-502-10
Colour	White
Control	On/off
CRI light colour	930 (BBBL)
Delivered lumen output lm	1150
Driver	Built in
EEL	E
Light distribution	Flood
Lightsource	LED COB
Mains input voltage	220-240 V
Measurements A	166
Measurements B	60
Mounting	Track
Position	360°/90°
Lifetime	L80 B10, 50.000h
Protection	IP 20, class I
Start Time	Instant
System power W	15
Unit	mm
Weight	0.4



Spot	Medium	Flood	Wide Flood
15°	27°	36°	56°
m	m	m	m
1.0 0.26	1.0 0.47	1.0 0.65	1.0 1.06
2.0 0.53	2.0 0.95	2.0 1.30	2.0 2.12
3.0 0.79	3.0 1.42	3.0 1.95	3.0 3.18

**ITAB Lighting**  
Europe, Asia, Middle East  
Phone: +46 910 733 790  
info@nordiclight.se

**ITAB Lighting**  
North America  
Phone: +1 614 421 8419  
na@nordiclight.se

*Please note that this product sheet is for a specific product and colour. The pictures may show examples of other available colours*