

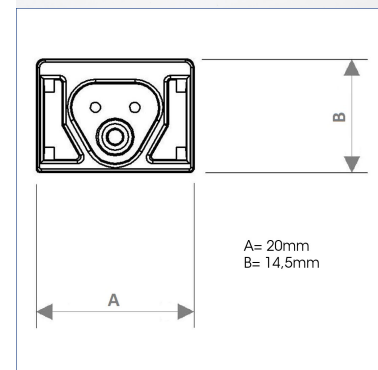
# VECTOR HD, 500MM, 3000K

ITAB

✓ Verkrijgbaar in verschillende lengtes en lumen-outputs

## TECHNICAL SPECIFICATION

Product Code	231-101-001
Colour	Brushed Stainless steel
Control	On/off
CRI light colour	835
Delivered lumen output lm	710
Driver	Stand alone, Separate
EEL	E
Light distribution	Flood
Lightsource	LED
Mains input voltage	220-240V
Measurements A	20
Measurements B	14.4
Measurements C	500
Mounting	Universal
Position	Universal
Lifetime	L80 B10 50.000h
Protection	IP 20, class III
Sawing instructions unit	mm
Start Time	Instant
System power W	60
Unit	mm
Weight	0,41/m



Flood	
m	ø
1.0	2.89
2.0	5.78
3.0	8.67