

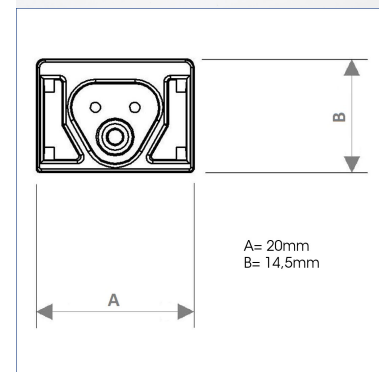
VECTOR HD, 1125MM, 3000K

ITAB

✓ Disponible en diferentes longitudes y potencias lumínicas.

TECHNICAL SPECIFICATION

Product Code	231-105-001
Colour	Brushed Stainless steel
Control	On/off
CRI light colour	835
Delivered lumen output lm	710
Driver	Stand alone, Separate
EEL	E
Light distribution	Flood
Lightsource	LED
Mains input voltage	220-240V
Measurements A	20
Measurements B	14.4
Measurements C	1125
Mounting	Universal
Position	Universal
Lifetime	L80 B10 50.000h
Protection	IP 20, class III
Sawing instructions unit	mm
Start Time	Instant
System power W	60
Unit	mm
Weight	0,41/m



Flood	
	88°/111°
m	ø
1.0	2.89
2.0	5.78
3.0	8.67