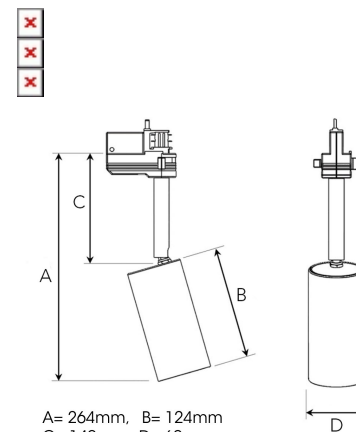


# JET MICRO 1200, 930 (BBBL), MEDIUM, GREY

ITAB

- ✓ Design puro ed essenziale/pulito di dimensioni contenute
- ✓ Quattro diverse angolazioni del fascio per la distribuzione della luce
- ✓ Alimentatore elettronico integrato
- ✓ Sorgente luminosa a LED ad alta efficienza con tecnologia "Chip on board"
- ✓ Disponibile in bianco, nero e grigio



A= 264mm, B= 124mm  
C= 140mm, D= 60mm

| Spot | 15°  | Medium | 27°  | Flood | 36°  | Wide Flood | 56°  |
|------|------|--------|------|-------|------|------------|------|
| m    | ø    | m      | ø    | m     | ø    | m          | ø    |
| 1.0  | 0.26 | 1.0    | 0.47 | 1.0   | 0.65 | 1.0        | 1.06 |
| 2.0  | 0.53 | 2.0    | 0.95 | 2.0   | 1.30 | 2.0        | 2.12 |
| 3.0  | 0.79 | 3.0    | 1.42 | 3.0   | 1.95 | 3.0        | 3.18 |

## TECHNICAL SPECIFICATION

|                           |                  |
|---------------------------|------------------|
| Product Code              | 310-501-30       |
| Colour                    | Grey             |
| Control                   | On/off           |
| CRI light colour          | 930 (BBBL)       |
| Delivered lumen output lm | 1150             |
| Driver                    | Built in         |
| EEL                       | E                |
| Light distribution        | Medium           |
| Lightsources              | LED COB          |
| Mains input voltage       | 220-240 V        |
| Measurements A            | 264              |
| Measurements B            | 124              |
| Measurements C            | 140              |
| Measurements D            | 60               |
| Mounting                  | Track            |
| Position                  | 360°/90°         |
| Lifetime                  | L80 B10, 50.000h |
| Protection                | IP 20, class I   |
| Start Time                | Instant          |
| System power W            | 15               |
| Unit                      | mm               |
| Weight                    | 0,65             |