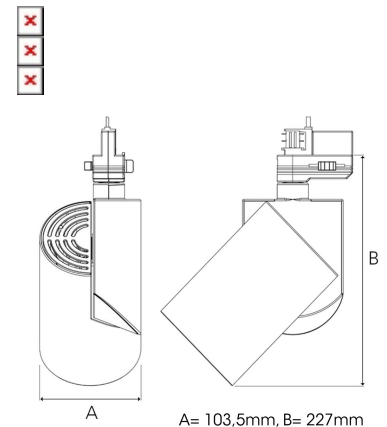


ZYLINDER 3000, 930 (BBBL), FLOOD W/ GLASS, BLACK

ITAB

- ✓ Design puro e essenziale/pulito
- ✓ Tre diverse angolazioni del fascio per la distribuzione della luce
- ✓ Alimentatore elettronico integrato
- ✓ Sorgente luminosa a LED ad alta efficienza con tecnologia "Chip on board"
- ✓ Disponibile in bianco, nero e grigio



Spot	Medium	Flood	Wide Flood
14°	27°	38°	56°
m	m	m	m
o	o	o	o
1.0	1.0	1.0	1.0
0.25	0.48	0.69	1.07
2.0	2.0	2.0	2.0
0.49	0.95	1.39	2.14
3.0	3.0	3.0	3.0
0.74	1.43	2.08	3.22

TECHNICAL SPECIFICATION

Product Code	288-502-20
Colour	Black
Control	On/off
CRI light colour	930 (BBBL)
Delivered lumen output lm	2841
Driver	Built in
EEL	E
Light distribution	Flood
Lightsource	LED COB
Mains input voltage	220-240 V
Measurements A	103,5
Measurements B	227
Mounting	Track
Position	360°/90°
Lifetime	L80 B10, 50.000h
Protection	IP 20, class I
Start Time	Instant
System power W	21,6
Unit	mm
Weight	0,91