

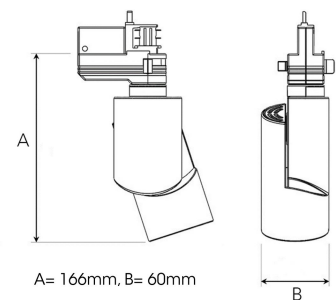
ZYLINDER MICRO 1200, 930 (BBBL), WIDE FLOOD W/ GLASS, GREY

ITAB

- ✓ Design puro ed essenziale/pulito di dimensioni contenute
- ✓ Tre diverse angolazioni del fascio per la distribuzione della luce
- ✓ Alimentatore elettronico integrato
- ✓ Sorgente luminosa a LED ad alta efficienza con tecnologia "Chip on board"
- ✓ Disponibile in bianco, nero e grigio

TECHNICAL SPECIFICATION

| | |
|---------------------------|------------------|
| Product Code | 305-503-30 |
| Colour | Grey |
| Control | On/off |
| CRI light colour | 930 (BBBL) |
| Delivered lumen output lm | 1150 |
| Driver | Built in |
| EEL | E |
| Light distribution | Wide flood |
| Lightsource | LED COB |
| Mains input voltage | 220-240 V |
| Measurements A | 166 |
| Measurements B | 60 |
| Mounting | Track |
| Position | 360°/90° |
| Lifetime | L80 B10, 50.000h |
| Protection | IP 20, class I |
| Start Time | Instant |
| System power W | 15 |
| Unit | mm |
| Weight | 0.4 |



| Spot | | Medium | | Flood | | Wide Flood | |
|------|------|--------|------|-------|------|------------|------|
| 15° | | 27° | | 36° | | 56° | |
| m | ø | m | ø | m | ø | m | ø |
| 1.0 | 0.26 | 1.0 | 0.47 | 1.0 | 0.65 | 1.0 | 1.06 |
| 2.0 | 0.53 | 2.0 | 0.95 | 2.0 | 1.30 | 2.0 | 2.12 |
| 3.0 | 0.79 | 3.0 | 1.42 | 3.0 | 1.95 | 3.0 | 3.18 |