

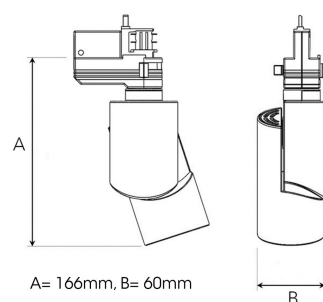
ZYLINDER MICRO 1200, 930 (BBBL), SPOT W/ GLASS, WHITE

ITAB

- ✓ Design puro ed essenziale/pulito di dimensioni contenute
- ✓ Tre diverse angolazioni del fascio per la distribuzione della luce
- ✓ Alimentatore elettronico integrato
- ✓ Sorgente luminosa a LED ad alta efficienza con tecnologia "Chip on board"
- ✓ Disponibile in bianco, nero e grigio

TECHNICAL SPECIFICATION

Product Code	305-500-10
Colour	White
Control	On/off
CRI light colour	930 (BBBL)
Delivered lumen output lm	1150
Driver	Built in
EEL	E
Light distribution	Spot
Lightsource	LED COB
Mains input voltage	220-240 V
Measurements A	166
Measurements B	60
Mounting	Track
Position	360°/90°
Lifetime	L80 B10, 50.000h
Protection	IP 20, class I
Start Time	Instant
System power W	15
Unit	mm
Weight	0.4



Spot		Medium		Flood		Wide Flood	
15°		27°		36°		56°	
m	ø	m	ø	m	ø	m	ø
1.0	0.26	1.0	0.47	1.0	0.65	1.0	1.06
2.0	0.53	2.0	0.95	2.0	1.30	2.0	2.12
3.0	0.79	3.0	1.42	3.0	1.95	3.0	3.18