

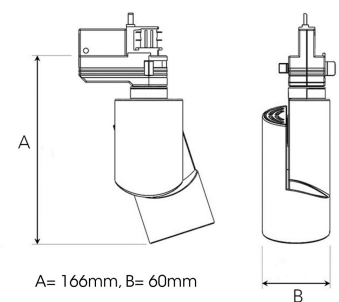
ZYLINDER MICRO 1200, 930 (BBBL), FLOOD W/ GLASS, GREY

ITAB

- ✓ Design puro ed essenziale/pulito di dimensioni contenute
- ✓ Tre diverse angolazioni del fascio per la distribuzione della luce
- ✓ Alimentatore elettronico integrato
- ✓ Sorgente luminosa a LED ad alta efficienza con tecnologia "Chip on board"
- ✓ Disponibile in bianco, nero e grigio

TECHNICAL SPECIFICATION

Product Code	305-502-30
Colour	Grey
Control	On/off
CRI light colour	930 (BBBL)
Delivered lumen output lm	1150
Driver	Built in
EEL	E
Light distribution	Flood
Lightsource	LED COB
Mains input voltage	220-240 V
Measurements A	166
Measurements B	60
Mounting	Track
Position	360°/90°
Lifetime	L80 B10, 50.000h
Protection	IP 20, class I
Start Time	Instant
System power W	15
Unit	mm
Weight	0.4



Spot	15°		Medium		27°		Flood		36°		Wide Flood		56°	
	m	ø	m	ø	m	ø	m	ø	m	ø	m	ø	m	ø
1.0	0.26	0.47	1.0	0.65	1.0	1.30	1.0	2.12	1.0	3.18	1.0	1.06	2.0	2.12
2.0	0.53	0.95	2.0	1.30	2.0	2.12	2.0	3.18	2.0	5.10	2.0	2.12	3.0	3.18
3.0	0.79	1.42	3.0	1.95	3.0	3.18	3.0	5.10	3.0	7.14	3.0	3.18	4.0	5.10